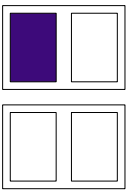
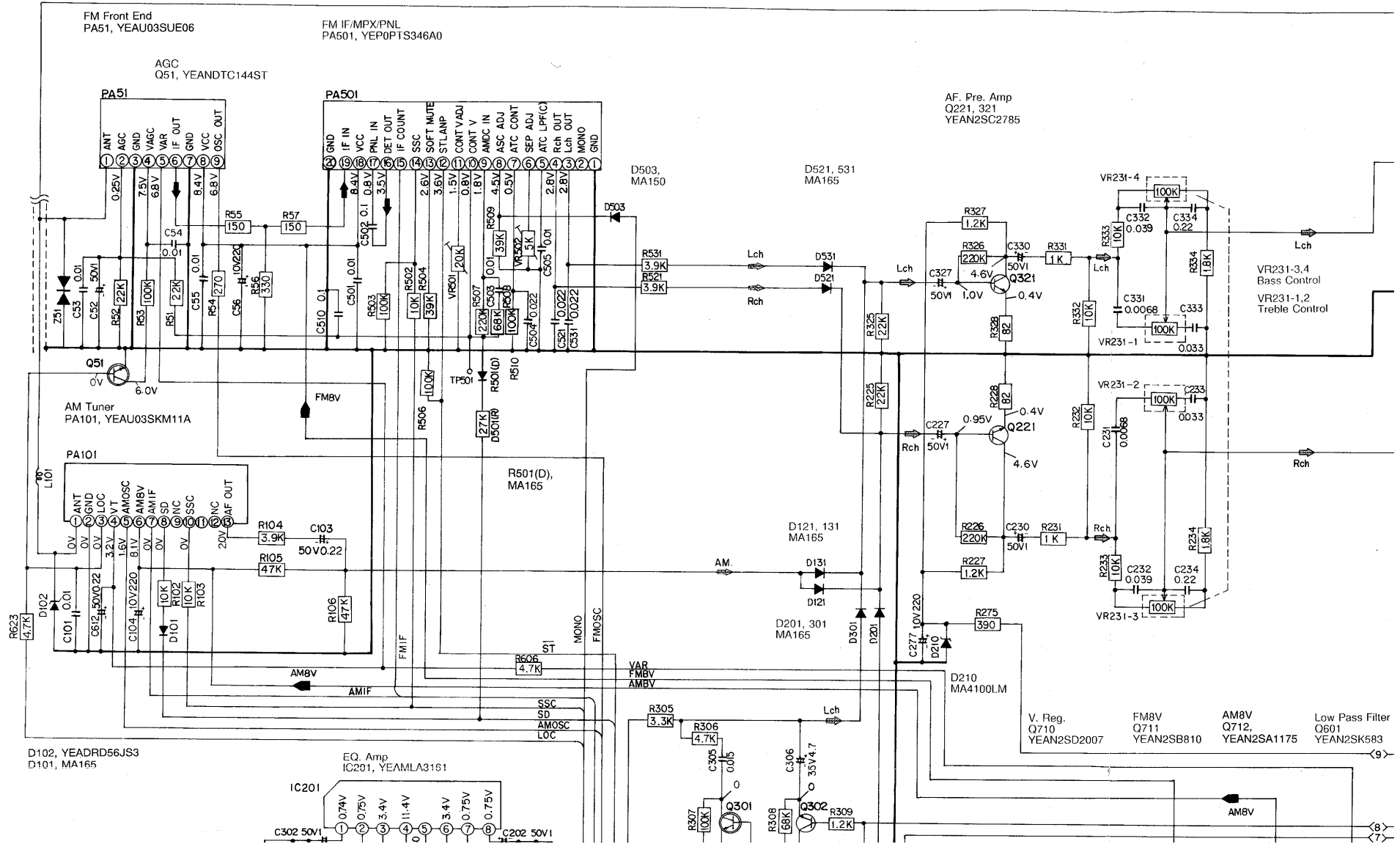
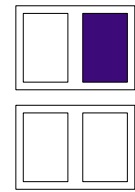
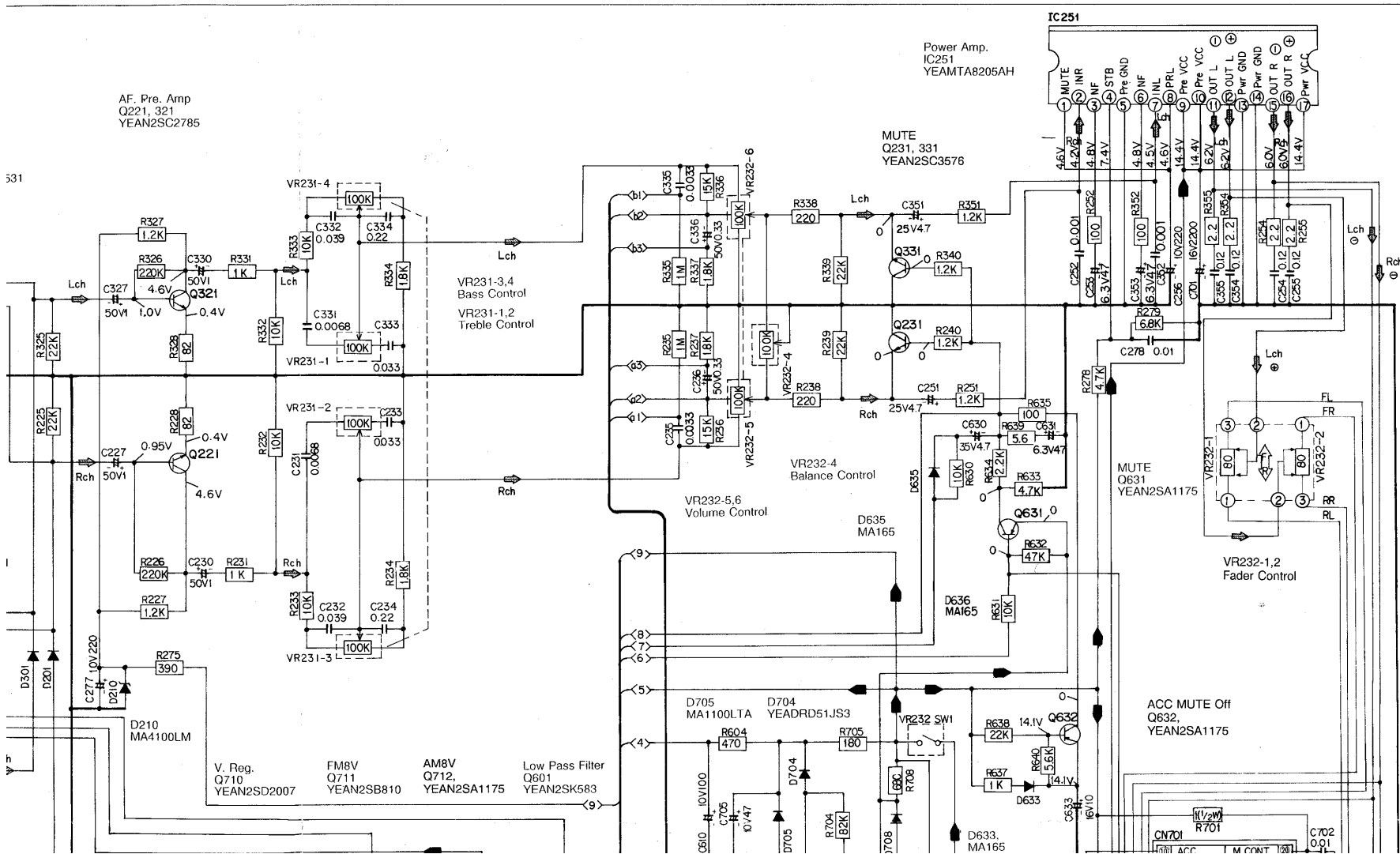
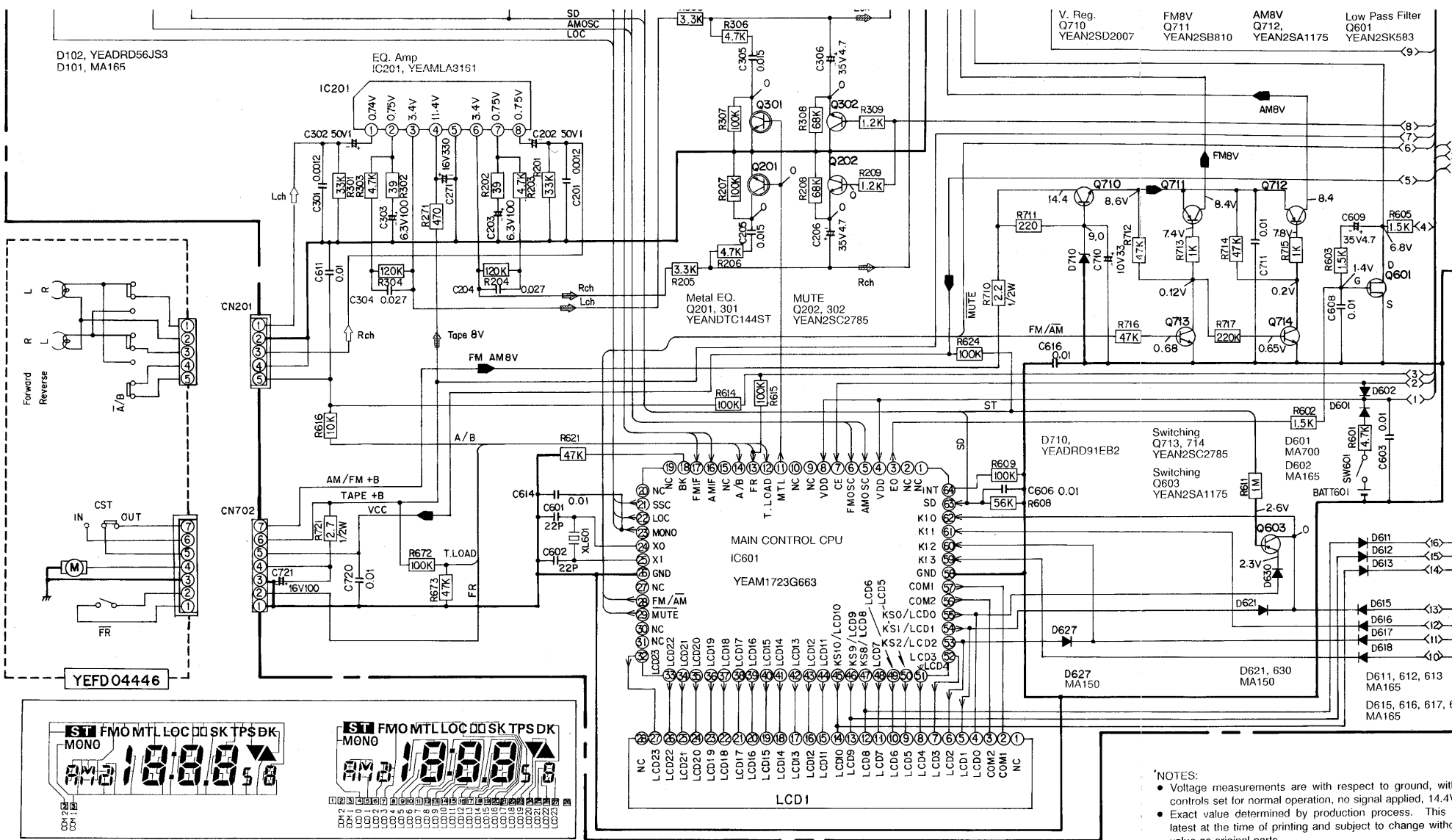


SCHEMATIC DIAGRAM MODEL CQ-D50LEEP

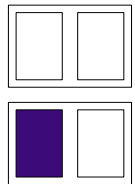


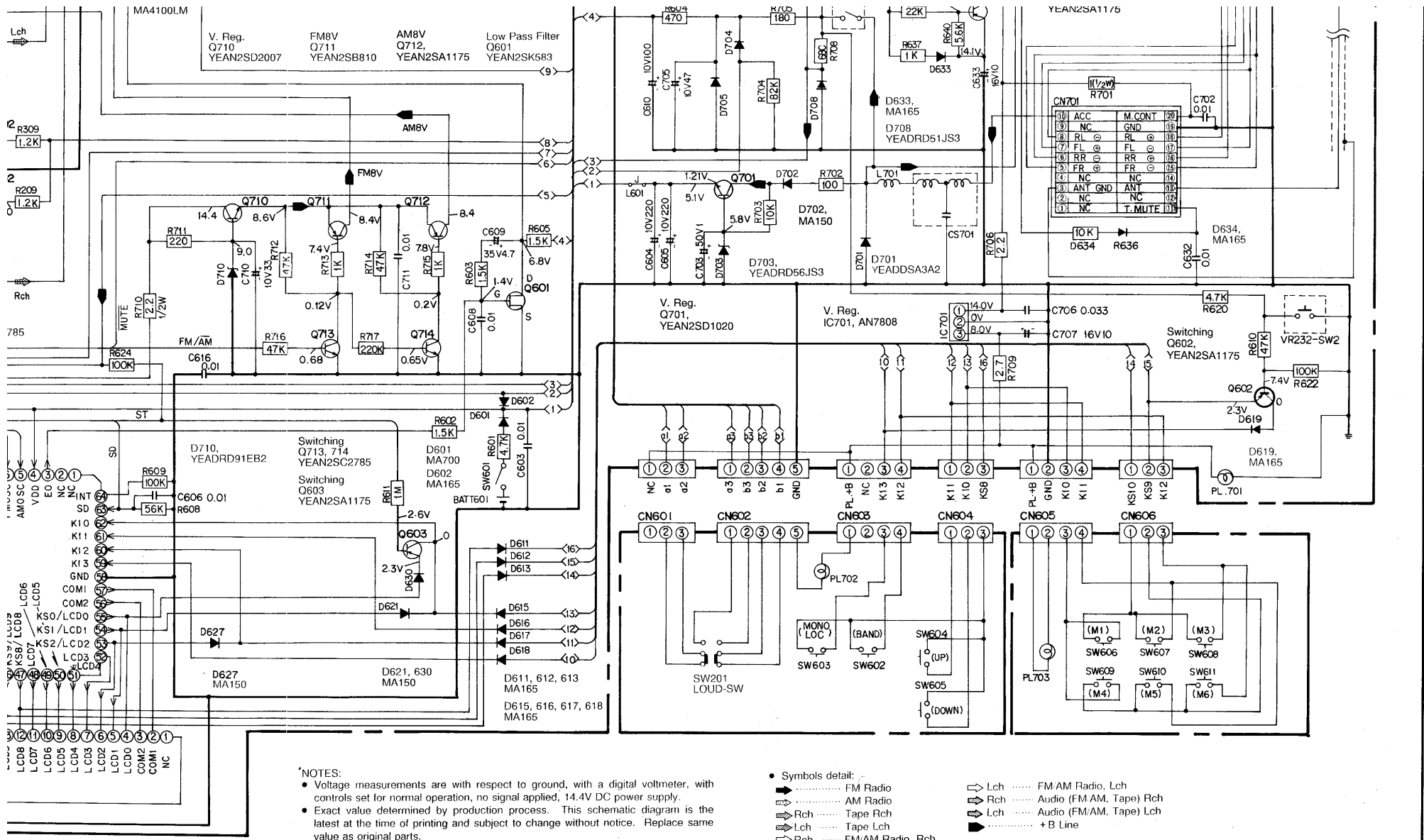




NOTES:

- Voltage measurements are with respect to ground, with controls set for normal operation, no signal applied, 14.4V
- Exact value determined by production process. This latest at the time of printing and subject to change with value as original parts.





Digital Control Receiver / Cassette Player

